

Job: \_\_\_\_\_

Item: \_\_\_\_\_

Quantity: \_\_\_\_\_

## Poly Top Tables

- All the strength and durability of stainless steel at the cost of aluminum.
- Easy to clean top and frame.
- Ideal for food preparation, units have removable full ½" thick HDPE tops.
- Easily adjustable safety feet provide added stability and easy leveling.
- All models are shipped knocked down to reduce freight charges and damages.
- 36" Deep sizes are available  
– *Contact The Factory For Pricing.*
- Optional aluminum undershelves available for all models.
- Five-Year Guarantee against material defects and workmanship.
- Lifetime warranty against rust and corrosion.
- NSF Certified.



**Solid Poly Top**

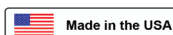


**Solid Poly Top  
With Undershelf**



**Solid Poly Top  
w/ Backsplash & Undershelf**

*This information is for general sales and engineering use only. New Age Industrial reserves the right to modify or make changes at any time without notice to materials and specifications.*



Distributed by:

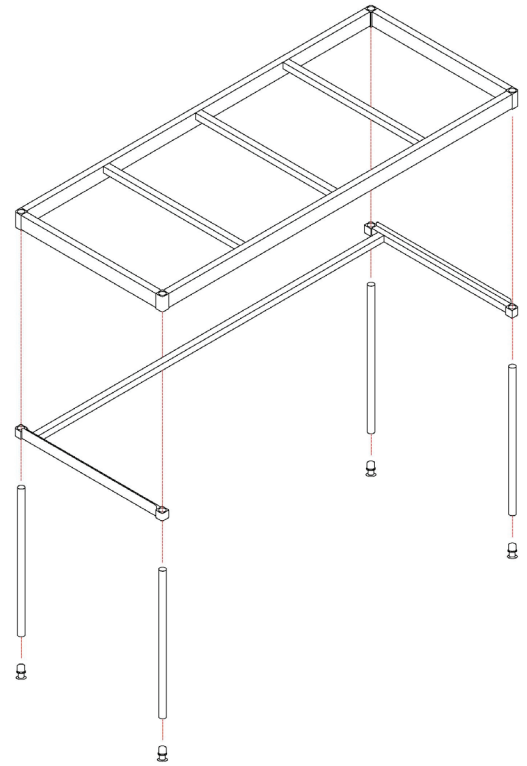
Job: \_\_\_\_\_

Item: \_\_\_\_\_

Quantity: \_\_\_\_\_

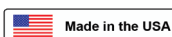
## Poly Top Tables

- Framework is constructed out of 1½" x 1½" x .070" wall tubing.
- Front and back of the top has 1½" x 3⅞" x .070" wall tubing.
- Table legs are constructed out of 1⅝" diameter pipe.
- Table tops are constructed out of ⅝" thick HDPE.
- Each table comes equipped with a mounting bracket for boat racks.
- Equipped with four NSF certified adjustable feet.
- Five-Year Guarantee against material defects and workmanship.
- Lifetime warranty against rust and corrosion.



Model No.	Size D-H-L	Ship Wt.	Model No. Undershelf	Ship Wt.
<b>SOLID POLY TOP (No Backsplash)</b>				
24P36KD	24" x 35½" x 36"	50#	24US36KD	8#
24P48KD	24" x 35½" x 48"	59#	24US48KD	11#
24P60KD	24" x 35½" x 60"	69#	24US60KD	14#
24P72KD	24" x 35½" x 72"	79#	24US72KD	16#
24P84KD	24" x 35½" x 84"	88#	24US84KD	19#
24P96KD	24" x 35½" x 96"	99#	24US96KD	22#
30P36KD	30" x 35½" x 36"	55#	30US36KD	10#
30P48KD	30" x 35½" x 48"	66#	30US48KD	13#
30P60KD	30" x 35½" x 60"	80#	30US60KD	17#
30P72KD	30" x 35½" x 72"	90#	30US72KD	20#
30P84KD	30" x 35½" x 84"	104#	30US84KD	23#
30P96KD	30" x 35½" x 96"	115#	30US96KD	27#
<b>POLY TOP WITH 6" STAINLESS STEEL BACKSPLASH</b>				
24PBS36KD	24" x 35½" x 36"	53#	24US36KD	8#
24PBS48KD	24" x 35½" x 48"	63#	24US48KD	11#
24PBS60KD	24" x 35½" x 60"	75#	24US60KD	14#
24PBS72KD	24" x 35½" x 72"	86#	24US72KD	16#
24PBS84KD	24" x 35½" x 84"	95#	24US84KD	19#
24PBS96KD	24" x 35½" x 96"	107#	24US96KD	22#
30PBS36KD	30" x 35½" x 36"	60#	30US36KD	10#
30PBS48KD	30" x 35½" x 48"	71#	30US48KD	13#
30PBS60KD	30" x 35½" x 60"	85#	30US60KD	17#
30PBS72KD	30" x 35½" x 72"	98#	30US72KD	20#
30PBS84KD	30" x 35½" x 84"	110#	30US84KD	23#
30PBS96KD	30" x 35½" x 96"	123#	30US96KD	27#

*This information is for general sales and engineering use only. New Age Industrial reserves the right to modify or make changes at any time without notice to materials and specifications.*



Distributed by: